

Manual Blast Gate

Ordering Information

- When ordering, specify material, gauge (if non-standard), dimension and end styles.

- Standard Blast Gates are cast aluminum body with galvanized blade and standard QF connection (collar), unless otherwise specified. SS model is 100% SS, body and blade are 12ga. 14ga Blast Gate is 10ga galvanized steel with a 14ga collar.



Ø in.	Galvanized					Std Weight Lbs
	A Height Closed in.	B Height Opened in.	C Width in.	D Depth Opened in.	E in.	
3	7.50	8.50	4.25	5.38	1.63	1.50
4	6.75	9.75	5.13	5.50	2.25	2.25
5	8.00	11.75	5.88	5.63	2.63	3.00
6	10.00	14.50	7.00	5.75	3.00	3.75
7	11.13	15.25	8.00	5.50	3.75	4.50
8	12.00	18.63	9.25	5.50	4.25	5.50
9	13.38	20.25	10.50	5.50	5.13	7.00
10	14.50	23.38	11.25	5.50	5.25	7.50
11	15.25	25.50	12.25	5.50	6.00	9.50
12	16.25	27.50	13.25	5.00	6.88	13.00
14	18.63	30.50	15.50	5.00	7.63	16.00
16	28.50	43.50	18.00	11.25	8.88	21.20
18	32.50	32.50	20.00	11.25	9.88	25.00
20	33.88	33.88	22.25	11.25	10.50	30.00
22	33.50	33.50	24.25	11.25	11.13	34.00
24	33.38	33.38	26.25	11.25	12.25	38.00
26	47.50	70.50	29.25	11.25	13.25	62.00
28	47.50	73.50	30.25	11.25	14.25	72.00
30	55.75	82.75	33.25	11.25	15.25	97.00

Ø in.	Stainless Steel		14ga Galv (8" & larger)		
	A Height Closed in.	B Height Opened in.	C Width in.	D Depth in.	E in.
3	6.00	10.00	5.00	5.00	3.00
4	7.50	12.50	6.00	5.375	3.75
5	9.00	15.00	7.00	5.375	4.50
6	10.5	17.50	8.00	5.50	5.25
7	13.00	21.00	9.00	5.25	6.50
8	13.50	22.50	10.00	5.125	6.75
9	15.00	25.00	11.00	5.00	7.50
10	16.50	27.50	12.00	5.125	8.25
11	18.00	30.00	13.00	5.50	9.00
12	19.50	32.50	14.00	4.875	9.75
14	22.50	37.50	16.00	4.875	11.25
16	25.50	42.50	18.00	4.75	12.75
18	28.50	47.50	20.00	4.75	14.25
20	31.50	52.50	22.00	4.75	15.75
22	34.50	57.50	24.00	4.75	17.25
24	37.50	62.50	26.00	4.75	18.75
26	41.25	60.75	28.00	5.75	14.00
28	44.25	64.75	30.00	5.75	15.00
30	47.25	68.75	32.00	5.75	16.00

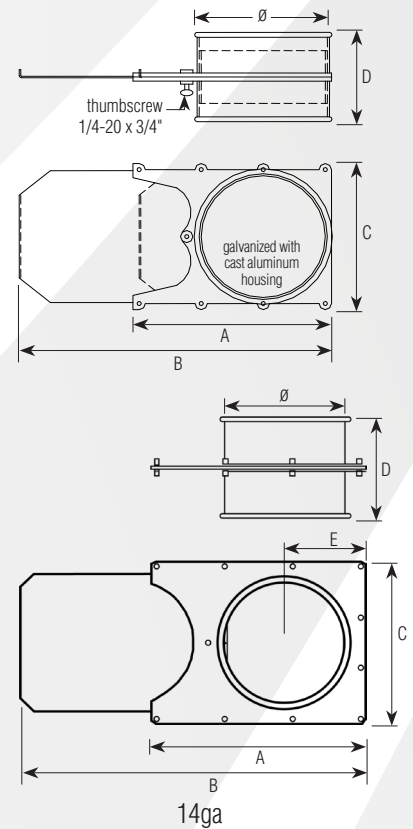
QF Material Options

Galv (Collar)			SS (Collar)				
Gauges	Size (inches)		Gauges	Size (inches)			
	Min. Ø	Max. Ø		Min. Ø	Max. Ø		
Standard	22	3	12	22	3	12	
	20	14	24	20	14	24	
Optional	18	3	24	Optional	18	8	24
	16	8	24		16	8	24
	14	8	24		16	8	24

SS Blast Gates have a production time of 7 days min.

Flanged Material Options

Galv (Collar)			SS (Collar)				
Gauges	Size (inches)		Gauges	Size (inches)			
	Min. Ø	Max. Ø		Min. Ø	Max. Ø		
Standard	22	3	12	22	3	12	
	20	14	24	20	14	24	
	18	26	40	18	26	30	
Optional	18	3	24	Optional	18	8	24
	16	8	24		16	8	24
	14	8	30		16	8	24



Construction

Collars: Attached to the exterior on each side of the cast aluminum body of each standard galvanized Gate. 16" and larger diameter Blast Gates have riveted-on collars. SS Blast Gates have collars fully welded to the SS body.

Optional End Styles

Standard QF end can be changed to Raw ID (RI), Raw OD (RO), No Fitting (NF), Flat Flange (FFL), Angle Flange (AFL), or Van Stone (VS).

SS Blast Gates have a production time of **7 business days** minimum